

1

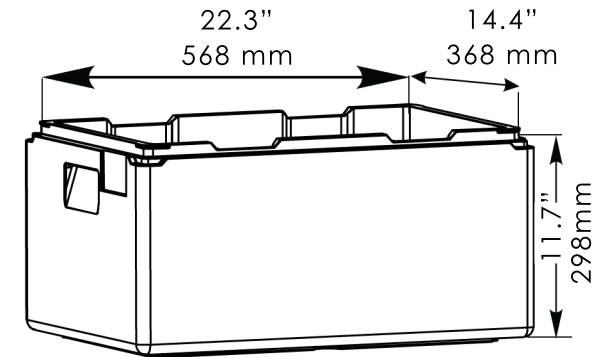
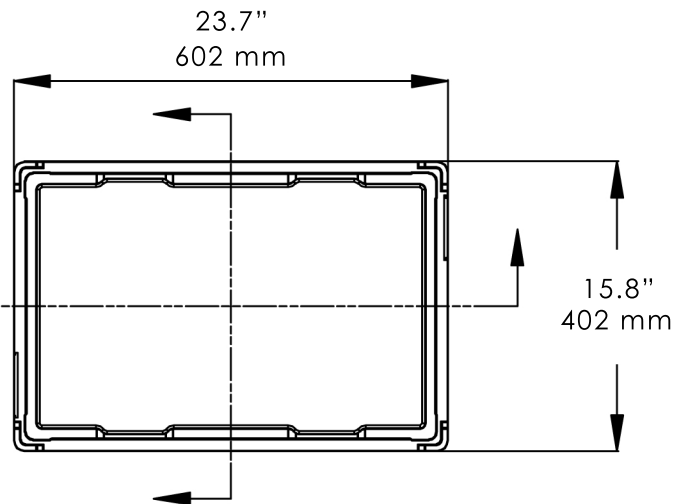
2

3

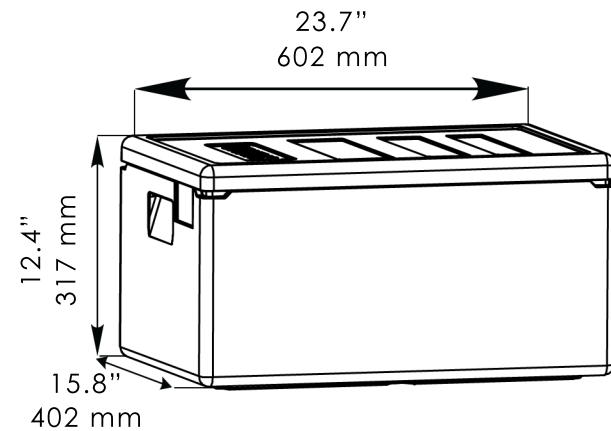
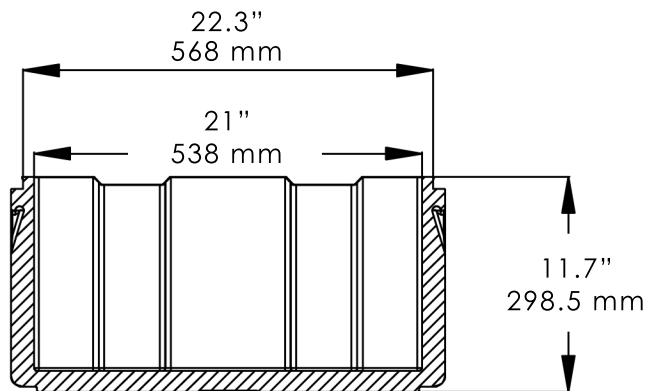
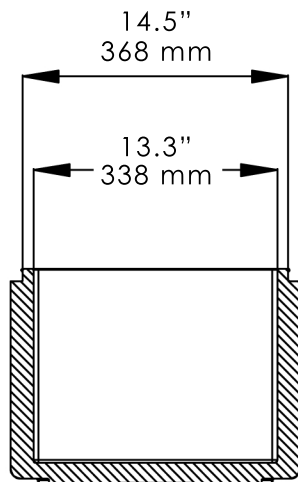
4

A

Top View



Side View



Item 44549

C

C

3

4