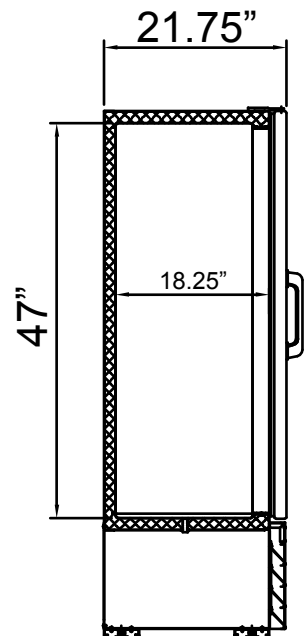
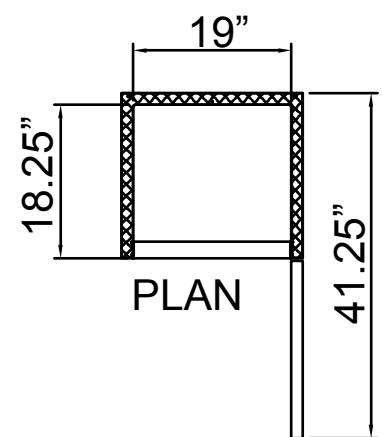


ELEVATION



SECTION VIEW



PLAN

SG258F