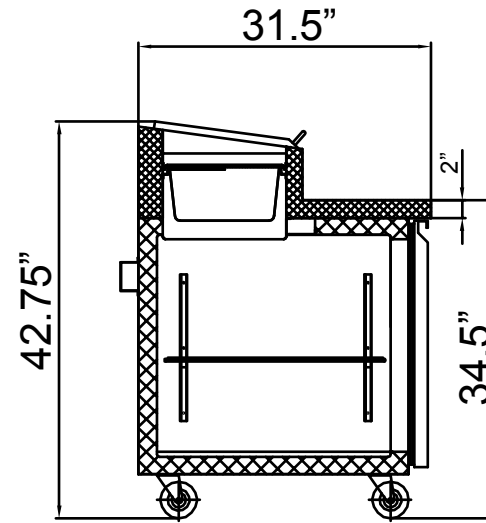
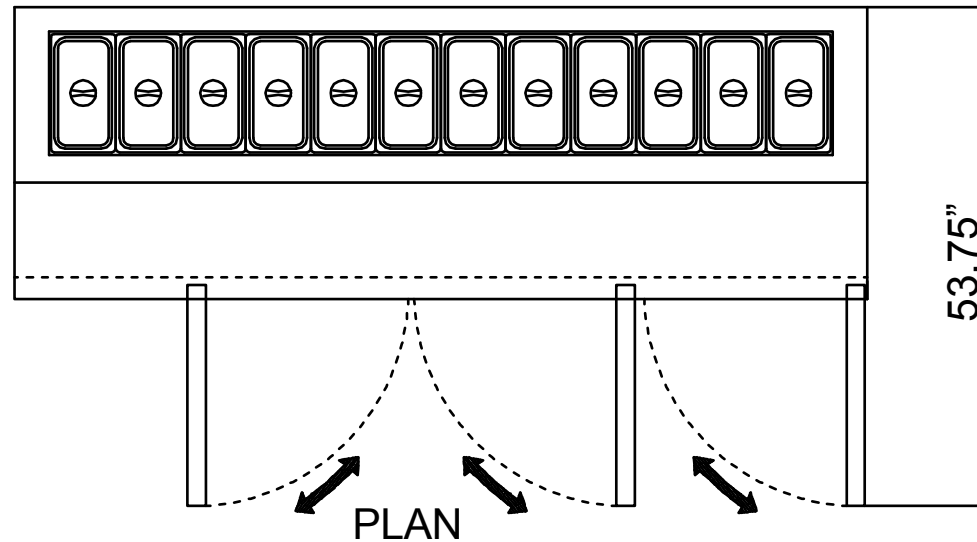


ELEVATION



SECTION VIEW



PICL3

Model	Compressor:HP	Refrigerant	Thermostat model	Voltage Supply	Capacity	Temperature Range	Exterior Dimensions
PICL3		R134a	Digital Type	220V/50Hz,115V/60Hz	684L	0~-10°C	92" X 31.5" X 42.75