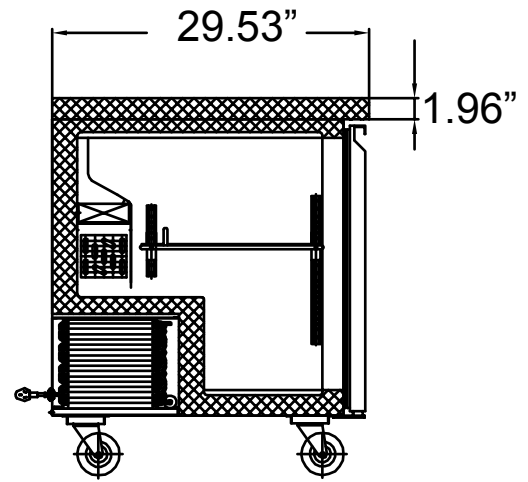
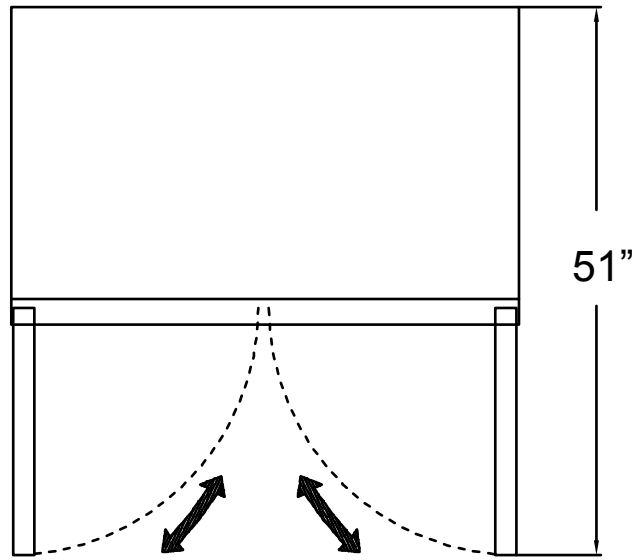


ELEVATION



SECTION VIEW



PLAN

| Model | Compressor:HP | Refrigerant | Thermostat model | Voltage Supply | Capacity | Temperature Range | Exterior Dimensions |
|--------|---------------|-------------|------------------|------------------|----------|-------------------|--------------------------|
| TUC48R | | R134a | Digital Type | 110V/60Hz/1PHASE | 338L | 0°~10° | 47.24" x 29.53" x 35.23" |
| TUC48F | | R404A | Digital Type | 110V/60Hz/1PHASE | 338L | -22°~-18° | 47.24" x 29.53" x 35.23" |

TUC48R/F