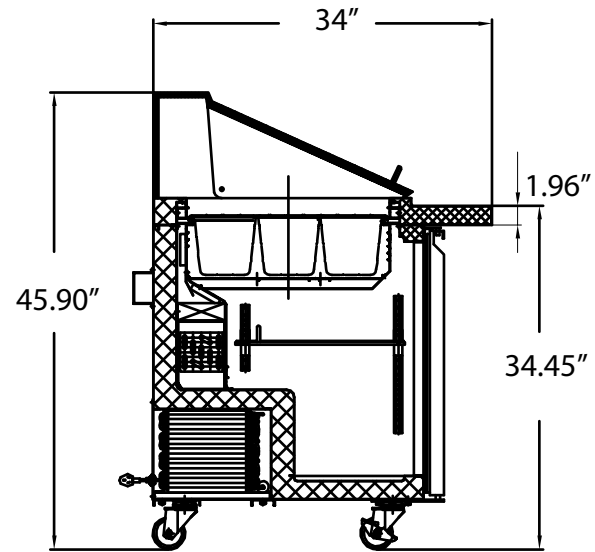
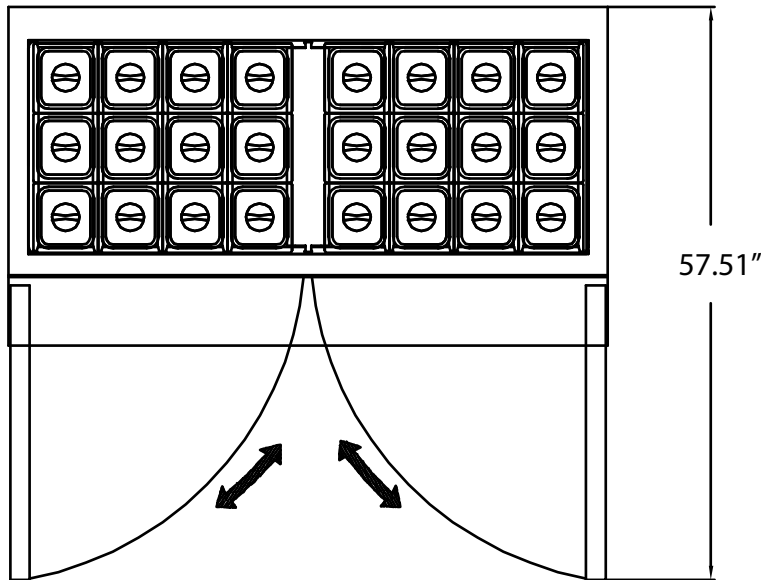


ELEVATION



SECTION VIEW



PLAN

**SCLM2-60**

Model	Compressor:HP	Refrigerant	Thermostat model	Voltage Supply	Capacity	Temperature Range	Exterior Dimensions
SCLM2-60		R134a	Digital Type	110V/60Hz/1PHASE		0°- 10°	60.20" x 34" x 45.90"