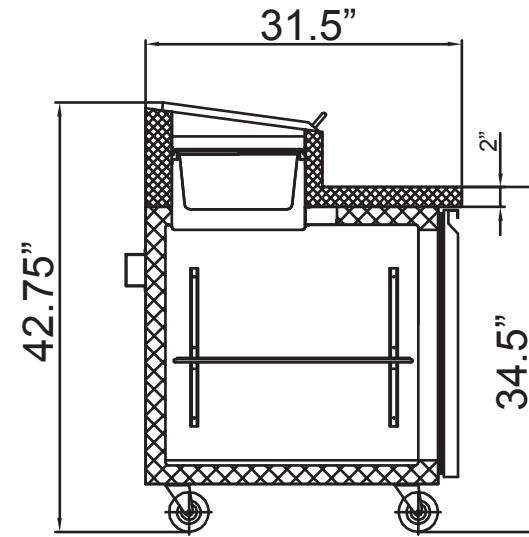
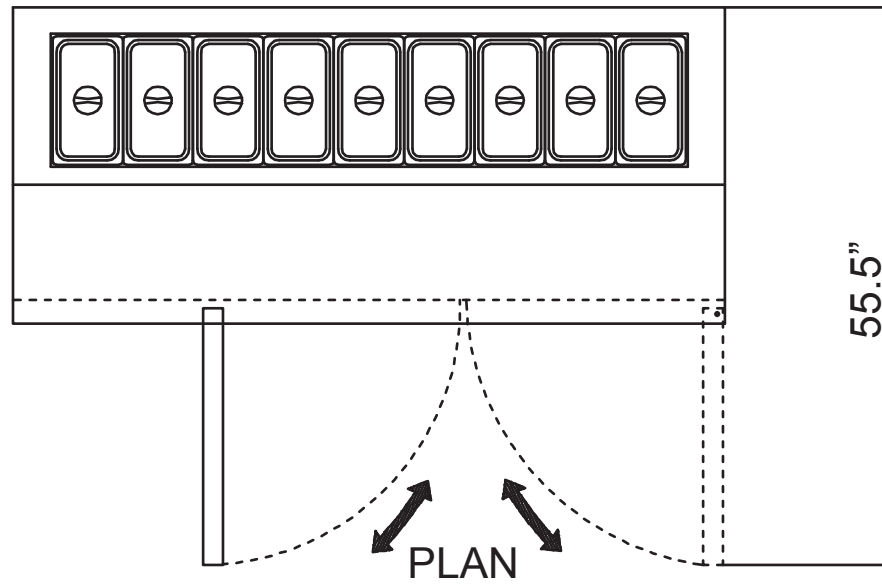


ELEVATION



SECTION VIEW



PLAN

PICL2

Model	Compressor:HP	Refrigerant	Thermostat model	Voltage Supply	Capacity	Temperature Range	Exterior Dimensions
PICL2		R134a	Digital Type	220V/50Hz,115V/60Hz	477L	0°~10°C	71" X 31.5" X 42.75"