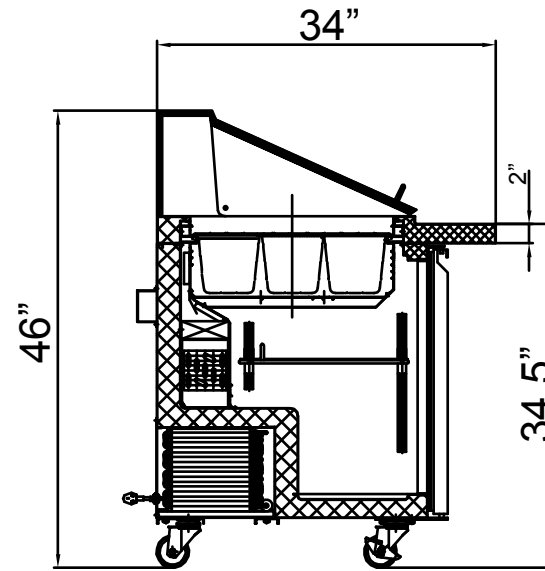
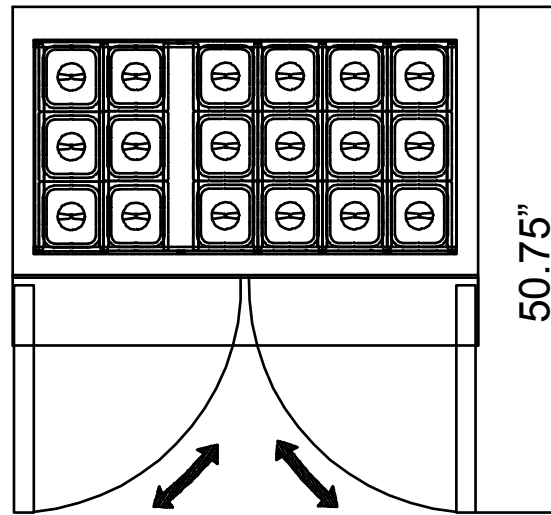


ELEVATION



SECTION VIEW



PLAN

SCLM2

Model	Compressor:HP	Refrigerant	Thermostat model	Voltage Supply	Capacity	Temperature Range	Exterior Dimensions
SCLM2		R134a	Digital Type	110V/60Hz/1PHASE	268L	0°~10°C	46.75" X 34" X 46"