



SERVING THE FOOD INDUSTRY SINCE 1951

## Countertop Pizza Ovens— Single & Double Chamber

ITEM:  
MODEL:

48681  
CE-CN-0018-S

48368  
CE-CN-0018-D



### Sleek, Efficient, and Built to Last.

This premium countertop oven features an all-stainless steel construction with a sleek glass door for modern style and durability. Designed for fast, even cooking, it boasts top and bottom stainless steel heating elements and a rechargeable multi-protection thermostat for consistent temperature control. With power and ready indicator lights, a 30-minute quick-cook function, and a handy ready bell, preparing meals is easier than ever. The fully insulated double-wall body ensures safety and energy efficiency—perfect for any kitchen.

#### FEATURES:

- All stainless steel construction with glass
- Top and bottom heating with durable stainless steel heating element
- Rechargeable multi protection thermostat
- Power and ready indication lights
- Fast cooking within 30 minutes with ready bell
- Full insulated double wall body

Telephone: 1-800-465-0234

Fax: (905) 607-0234

Email: [sales@omcan.com](mailto:sales@omcan.com)

Website: [www.omcan.com](http://www.omcan.com)



Authorized Dealer



48681

48368

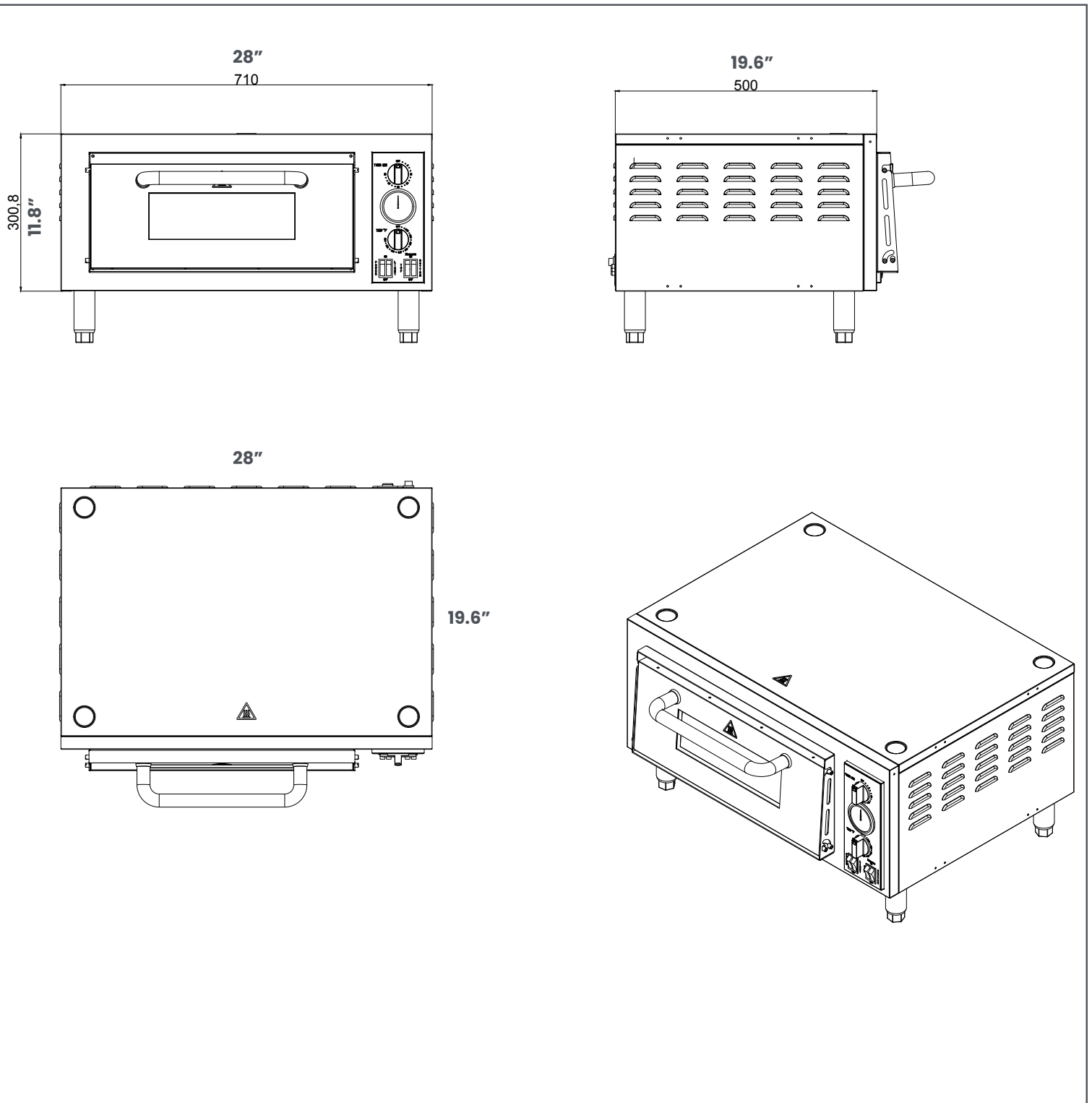


(Version 2024.07)

Page 1 / 4

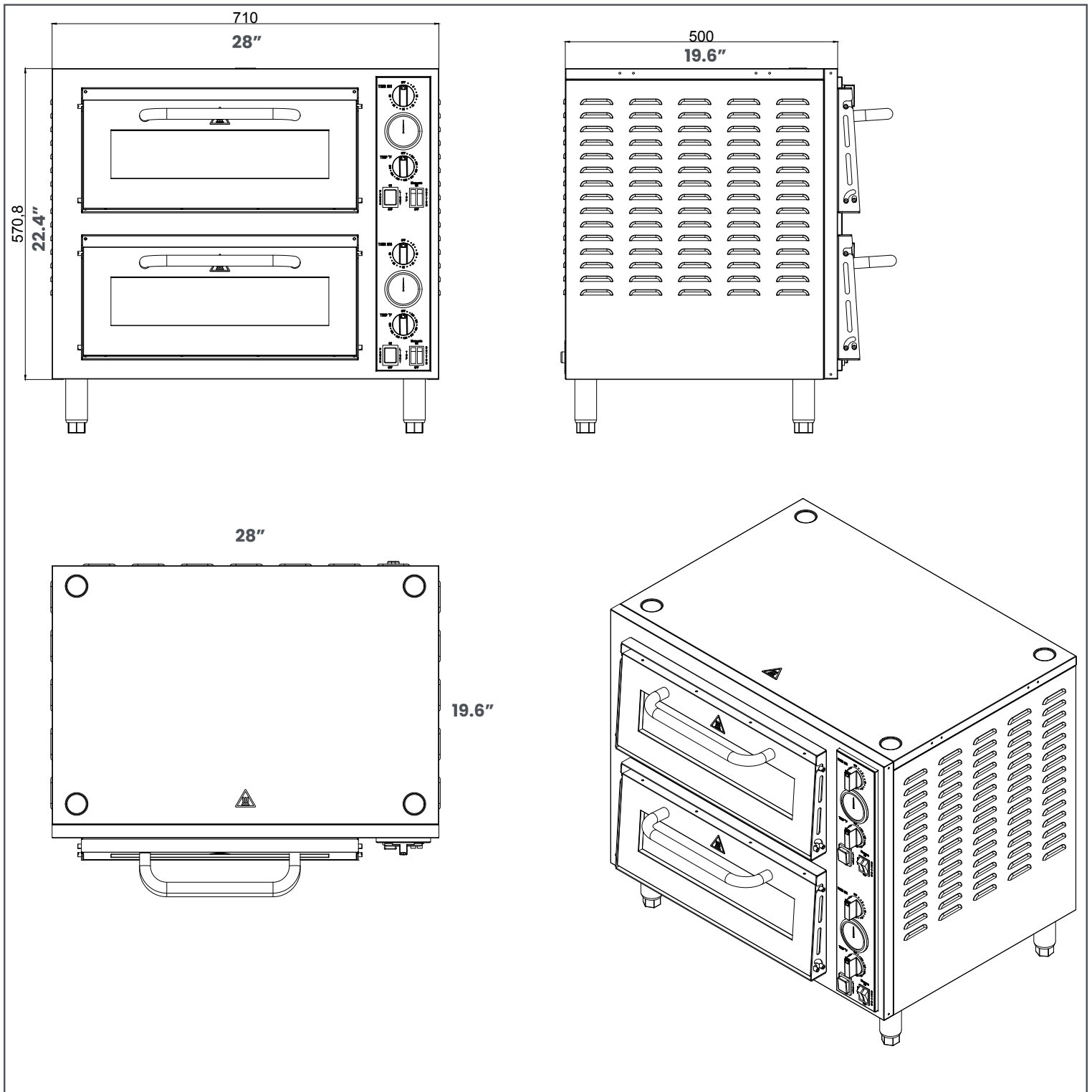
TECHNICAL SPECIFICATION		
Item	48681	48368
Model	CE-CN-0018-S	CE-CN-0018-D
Temperature	150-840° F (65 - 450 °C)	
Power	1700 W	3200 W
Electricals	120V / 60 Hz / 1 Ph	240V / 60 Hz / 1 Ph
Net Dimensions	28" x 23.3" x 15.7" (710 x 592 x 400 mm)	28" x 23.3" x 26.3" (710 x 592 x 670 mm)
Gross Dimensions	31.8" x 26.7" x 15.7" (810 x 680 x 400 mm)	32.6" x 27.5" x 27.1" (830 x 700 x 690 mm)
Net Weight	70.5 lb. ( 32 kg.)	119.5 lb. (54.2 kg.)
Gross Weight	79.3 lb. ( 36 kg.)	132.2 lb. (60 kg.)

## TECHNICAL DRAWING (48681)



BMAD System (Low maintenance high performance). Dimensions rounded up to the nearest inch or millimeter. Specifications subject to change without notice.

## TECHNICAL DRAWING (48368)



BMAD System (Low maintenance high performance). Dimensions rounded up to the nearest inch or millimeter. Specifications subject to change without notice.