



SERVING THE FOOD INDUSTRY SINCE 1951

## Electric Pasta Sheeter with 3 Cutters, Silver

ITEM: 48367  
MODEL: PM-CN-0150N-S



- Carbon Steel Rollers
- Stainless Steel Casing
- Aluminum Cutters

### Its Small Size Makes This an Ideal Appliance for Limited Space.

A simple compact pasta machine, allowing you to easily sheet and cut pasta into three different widths, electrically powered and ideal for domestic or light commercial usage.

#### TECHNICAL SPECIFICATION

Item	48367
Model	PM-CN-0150N-S
Power	60 W
Amps	0.5 A
Electrical	120V / 60Hz / 1Ph
Net Weight	15 lb (6.8 kg)
Net Dimensions (WDH)	8.5" x 6.25" x 8.5" (216 x 159 x 216 mm)
Gross Weight	17 lb (7.7 kg)
Gross Dimensions (WDH)	12" x 8" x 9" (305 x 204 x 229 mm)

Telephone: 1-800-465-0234

Fax: (905) 607-0234

Email: sales@omcan.com

Website: www.omcan.com



Authorized Dealer

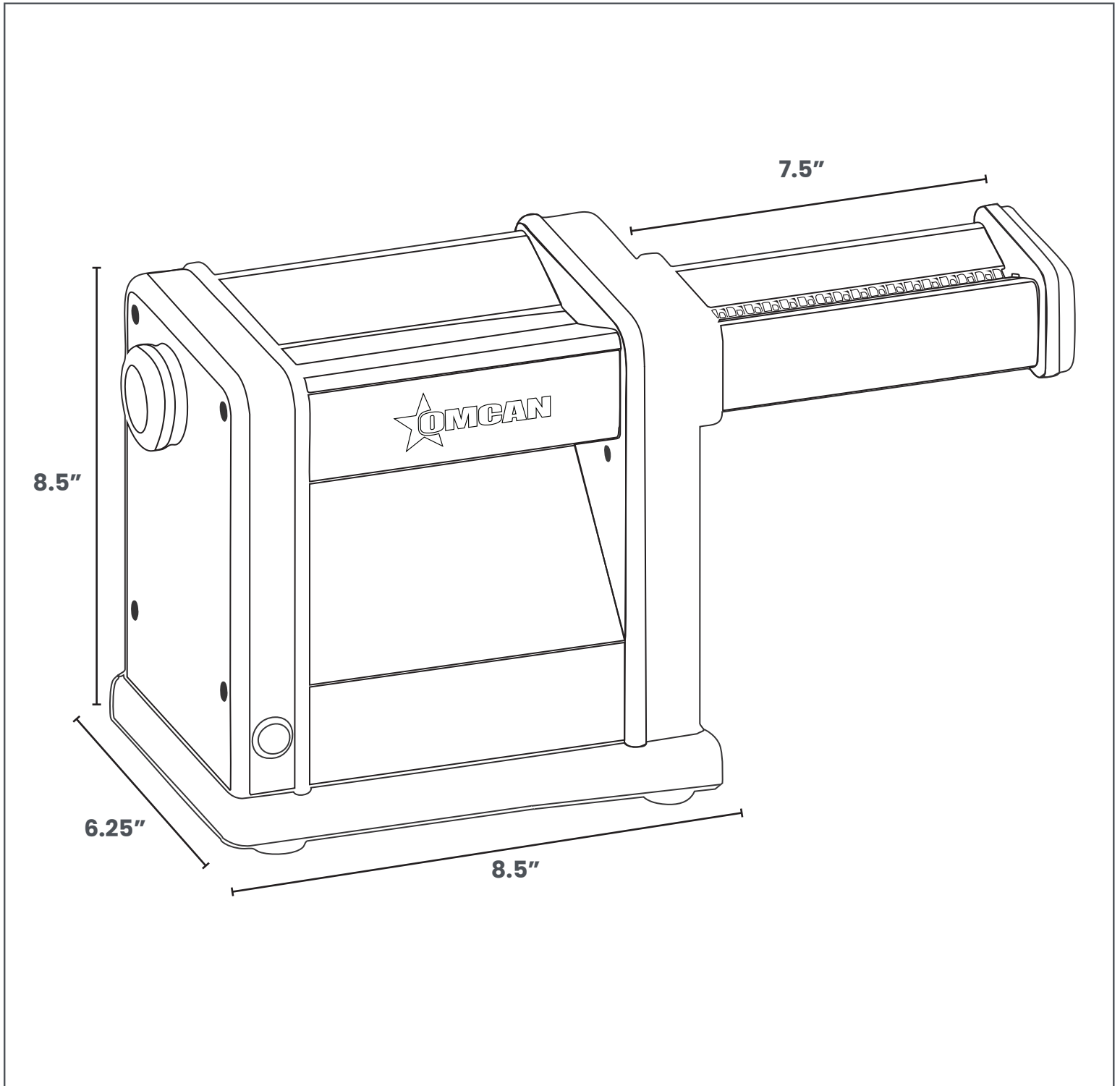


Made in China

(Updated: 2025.07.29)

Page 1 / 2

## TECHNICAL DRAWING



*Dimensions rounded up to the nearest tenth inch or millimeter.  
Specifications subject to change without notice.*